

Vega Chain Actuator



This heavy duty operator features a strong, stainless steel, double link chain that exits from the centre of the casing.

The Vega operator is housed in a narrow line section – 45mm x 32mm.

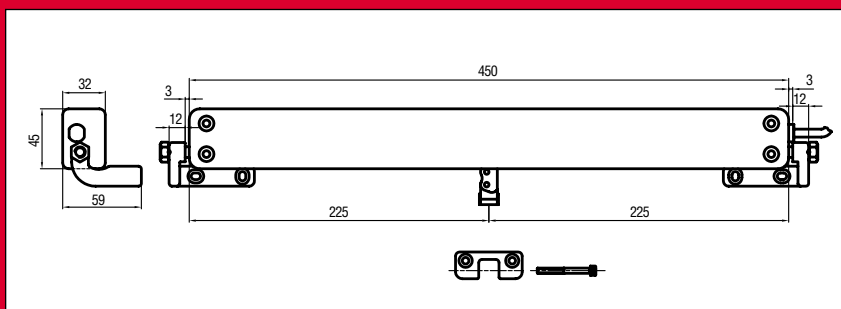
The operator comes with 1.5m of cable and pivot brackets as standard.

The operator is available in white or natural anodized finish. Black is available as a special indent.

Available ex stock in 24VDC and 240VAC.

Technical Specifications

	Vega DC	Vega AC
Voltage	24VDC \pm 10%	100VAC – 240VAC
Stroke	300mm	300mm
Force	250N	250N
Speed	~ 9 mm/sec	~ 9 mm/sec
Max. current absorption	0.7A	0.3 – 0.15A
Operation	Polarity inversion	3 wires + earth
Parallel connection	Yes	Yes
Limit stop	Electronic	Electronic
Safety stop	Electronic	Electronic
Time rating	50%	50%
Protection class	IP30	IP30



PO Box 2087, North Brighton
Victoria 3186, Australia
Telephone +61 3 9583 2969
Facsimile +61 3 9585 0449
email sales@arens.com.au

Quasar Chain Actuator



This heavy duty operator features a strong, stainless steel, double link chain that exits from the centre of the casing.

The Quasar operator is housed in a narrow line section – 47mm x 32mm.

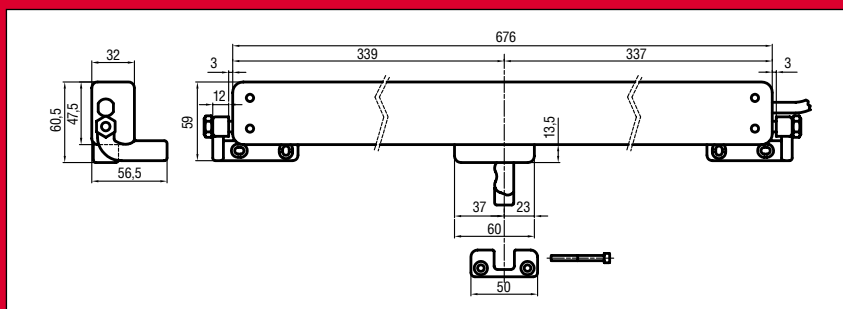
The operator comes with 1.5m of cable and pivot brackets as standard.

The operator is available in white or natural anodized finish. Black is available on a special indent.

Available ex stock in 24VDC and 240VAC as a special indent.

Technical Specifications

Voltage	24VDC \pm 10%
Stroke	500mm
Force	300N
Max. current absorption	0.9A
Operation	Polarity inversion
Parallel connection	Yes
Limit stop	Electronic
Safety stop	Electronic
Time rating	50%
Protection class	IP30



PO Box 2087, North Brighton
Victoria 3186, Australia
Telephone +61 3 9583 2969
Facsimile +61 3 9585 0449
email sales@arens.com.au