

### Master & Twin Master Chain Actuators



These operators both have a heavy duty, double link chain with special weather protection coating.

The Twin master is suitable for wide, heavy windows over 1200mm wide.

Minimum height of the sashes is 800mm, if height is less, pivoting brackets are available.

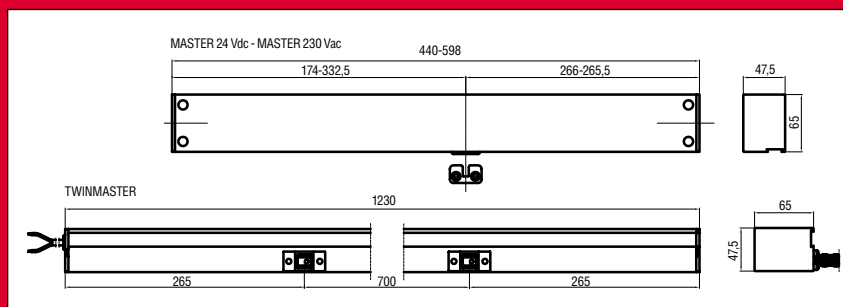
Both operators come with 1.5m of cable as standard.

The operator is available in white or natural anodized finish.

Available ex stock in 24VDC and 240VAC as a special indent.

### Technical Specifications

	Master 24VDC	Twin Master 24VDC
Voltage	24VDC $\pm$ 10%	24VDC $\pm$ 10%
Stroke	380mm	380mm
Force	360N	700N
Speed	~ 12 mm/sec	~ 12 mm/sec
Max. current absorption	1.2A	2A
Operation	Polarity inversion	Polarity inversion
Parallel connection	Yes	Yes
Limit stop	Micro switches	Micro switches
Safety stop	Electronic	Electronic
Time rating	50%	50%
Protection class	IP44	IP44



PO Box 2087, North Brighton  
 Victoria 3186, Australia  
 Telephone +61 3 9583 2969  
 Facsimile +61 3 9585 0449  
 email sales@arens.com.au

### Supermaster Chain Actuators



The Supermaster gives the longest stroke and the highest force of any chain winder.

The operator has a heavy duty, double link chain with special weather protection coating.

Minimum height of the sashes is 900mm (450mm stroke), 1200mm (600mm stroke) and 1600mm (800mm stroke). If window height is less, pivoting brackets are available.

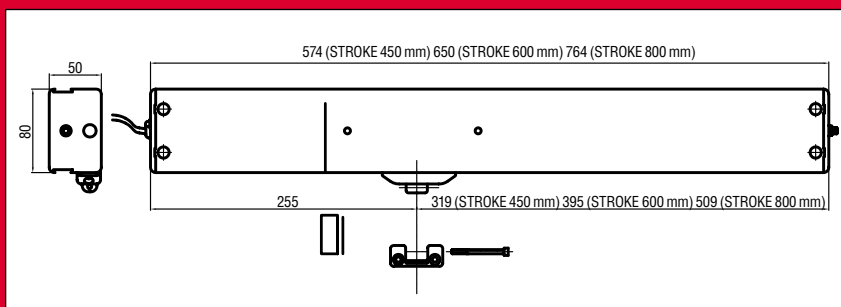
The operators come with 2-3m of cable as standard.

The operator is available in white or natural anodized finish.

Available as a special indent in 24VDC and 240VAC.

### Technical Specifications

Voltage	24VDC $\pm$ 10%
Stroke	400mm – 600mm – 800mm
Force	400N (300N for 800mm stroke)
Speed	~ 20 mm/sec
Max. current absorption	2A
Operation	Polarity inversion
Parallel connection	Yes
Limit stop	Micro switches
Safety stop	Electronic
Time rating	50%
Protection class	IP20



PO Box 2087, North Brighton  
 Victoria 3186, Australia  
 Telephone +61 3 9583 2969  
 Facsimile +61 3 9585 0449  
 email sales@arens.com.au